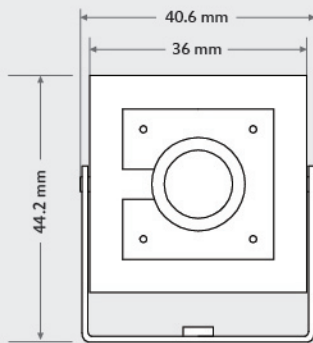
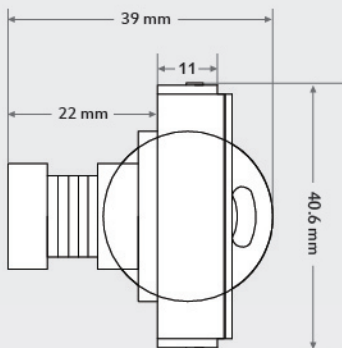


Wide Dynamic Range Pin Hole Camera

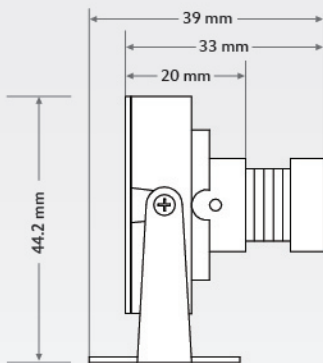
Dimensions:



FRONT VIEW



TOP VIEW



SIDE VIEW



Specifications:

| No. | Features | MCD-E20-PH | MCD-E30-PH |
|-----|------------------------|--|--------------|
| 1 | IMAGE SENSOR | 1/3" SONY Super HAD CCD II | |
| 2 | VIDEO RESOLUTION | 520 TV Lines | 600 TV Lines |
| 3 | MINIMUM ILLUMINATION | 0.01 lux | |
| 4 | S/N RATIO | >50dB | |
| 5 | SIGNAL SYSTEM | PAL | |
| 6 | SHUTTER SPEED | 1/50 ~ 1/100,000 secs. | |
| 7 | LENS | 3.6mm High Definition Fixed Lens (Made in Korea) | |
| 8 | O.S.D | Yes, via coaxial cable | |
| 9 | 2D-DNR | Yes | |
| 10 | WIDE DYNAMIC RANGE | Digital WDR | |
| 11 | MOTION DETECTION | Yes, 4 zones | |
| 12 | L.S.C | Lens Shading Compensation | |
| 13 | PRIVACY MASKING | Yes, 4 zones | |
| 14 | HIGH LIGHT SUPPRESSION | Yes | |
| 15 | POWER SUPPLY | DC 12V ± 10% | |
| 16 | HOUSING | Pin Hole camera housing | |
| 17 | SIZE | 36mm (L) x 36mm (W) | |
| 18 | OPERATING TEMP. | -10°C ~ 50°C | |
| 19 | WEIGHT | 170g | |
| 20 | WARRANTY | 24 months on manufacturing defects | |

Powered by **MicroEngine**[®]
Version 1.0