

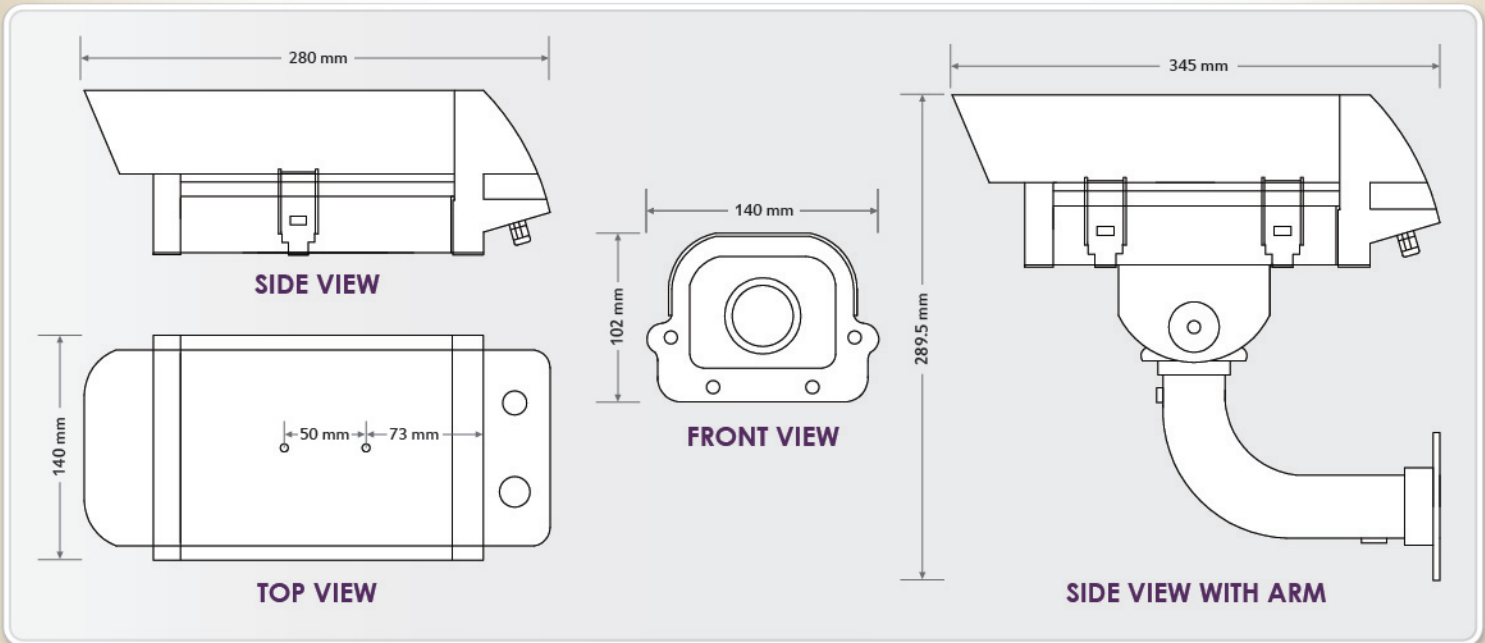
Outdoor Fixed IR Bullet Camera



Specifications:

No.	Features	MCD-E20-FIRB	MCD-E30-FIRB
1	IMAGE SENSOR	1/3" SONY Super HAD CCD II	
2	VIDEO RESOLUTION	520 TV Lines	600 TV Lines
3	MINIMUM ILLUMINATION	0 lux (IR On), 0.01 lux (Color)	
4	S/N RATIO	>50dB	
5	SIGNAL SYSTEM	PAL	
6	SHUTTER SPEED	1/50 ~ 1/100,000 secs.	
7	LENS	4mm CS Mount F1.8	
8	IR LEDs	36ea 8mm UltraBlack SMART LEDs	
9	IR VISIBILITY	45m - 50m	
10	O.S.D	Yes, via coaxial cable	
11	2D-DNR	Yes	
12	WIDE DYNAMIC RANGE	Digital WDR	
13	MOTION DETECTION	Yes, 4 zones	
14	L.S.C	Lens Shading Compensation	
15	PRIVACY MASKING	Yes, 4 zones	
16	HIGH LIGHT SUPPRESSION	Yes	
17	SMART IR TECHNOLOGY	Yes, Intelligent Auto Dimming	
18	POWER SUPPLY	DC 12V ± 10%	
19	HOUSING	Epoxy coated outdoor camera housing with bracket	
20	SIZE	390mm (L) x 128mm (W) x 102mm (H)	
21	OPERATING TEMP.	-10°C ~ 50°C	
22	WEIGHT	1000g	
23	WARRANTY	24 months on manufacturing defects	

Dimensions:



Powered by **MicroEngine**[®]
Version 1.0